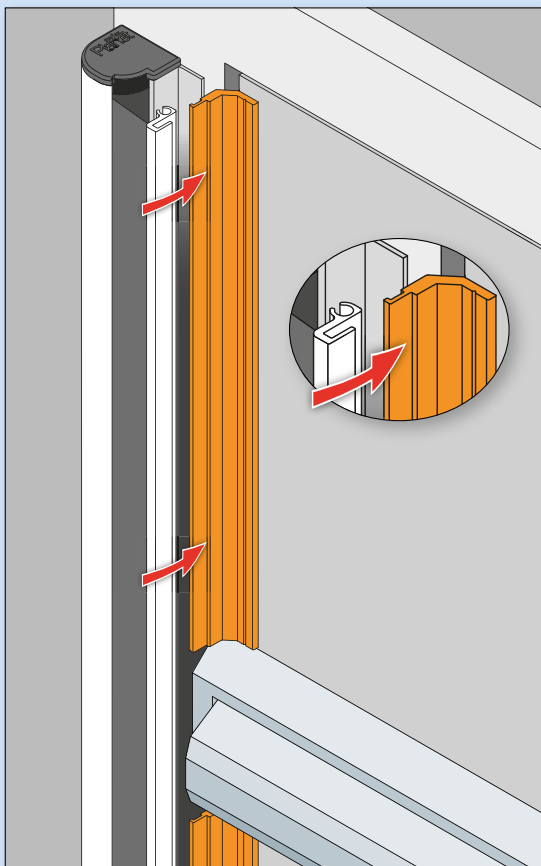
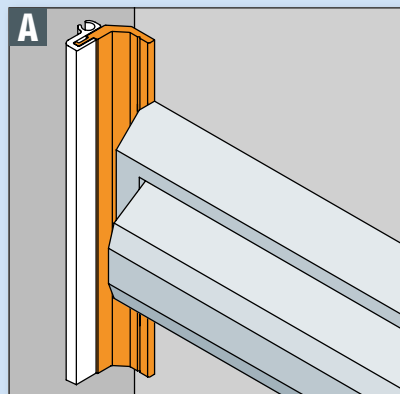


Mounting profile LP1 for panic hardware

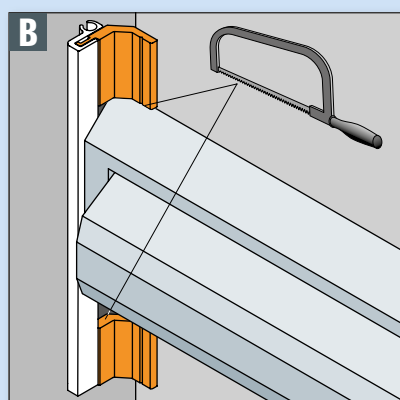
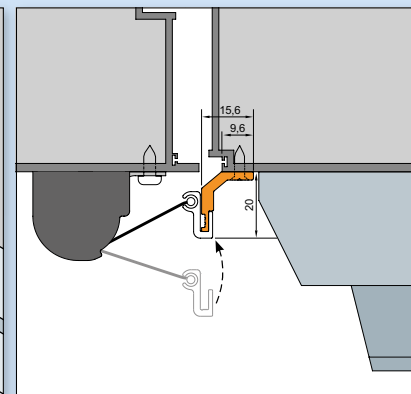
Option for **FSR 6000 [Quick]** and **FSR 7000 [Outdoor]**



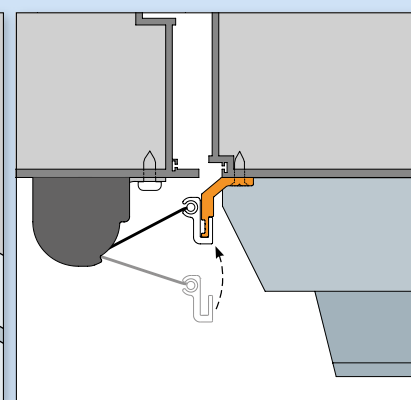
For the mounting and removal system



Mounting variant A: mounting profile LP1 gets fitted next to pushbar.



Mounting variant B: mounting profile LP1 gets cut to allow pushbar installation.



Key features



- For doors with small available space (mounting variant A) or no space (mounting variant B) for attaching the finger protection to the door leaf
- Standard solution, making prior measurement unnecessary

Materials



Door types



Certified quality



Profile colour

EV1 ANODISED	RAL-9016 WHITE	STAINLESS STEEL ANOD.
--------------	----------------	-----------------------

Colour options



Technical data

Standard length	1925 mm (stock length)
Automatic length	2015 mm (stock length)
Made to measure	per metre
Maximum supply length	2500 mm
Shorten	yes
Installation set	Universal screws included

