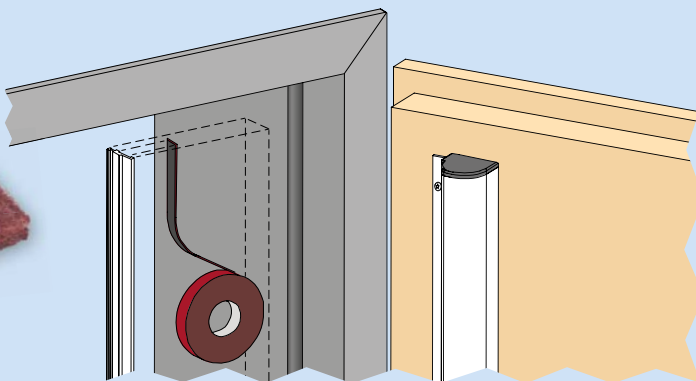
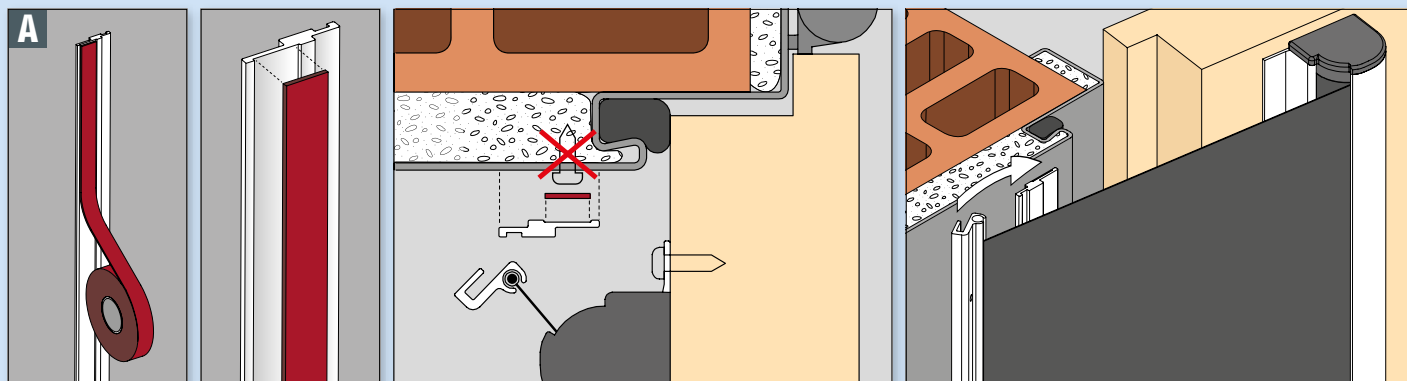


Adhesive kit **S** for steel frames

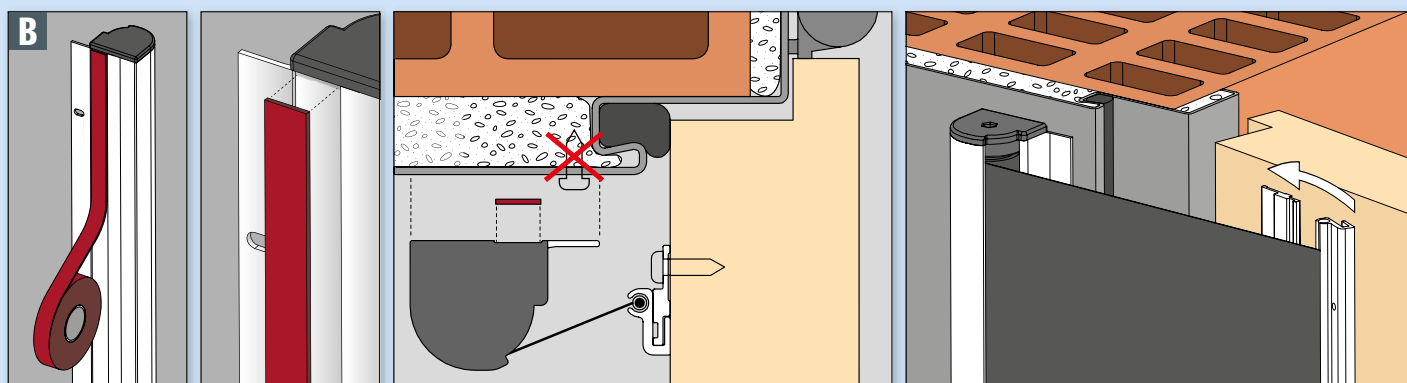
Option for **FSR 6000 [Quick]**
and **FSR 7000 [Outdoor]**



Adhesive kit S, for doors with filled steel frames, incl:
3M-double-sided adhesive tape, wet-wipes, 3M Scotch-Brite



Mounting variant A: The mounting profile is glued on steel frame.



Mounting variant B: The roller protector FSR 6000 / 7000 is glued on steel frame.

Key features



- Adhesive kit, suitable for roller protectors FSR 6000 / 7000, for doors with filled steel frames
- Secure adhesive attachment – no broken screws or drill bits
- Content: 3M-double-sided adhesive tape, wet-wipes, 3M Scotch-Brite

Materials



Certified quality



Door types



Technical data

Length	2500 mm for roller protectors FSR 6000 / 7000
Application	indoor / outdoor

Article number

901'370



Also available:
Adhesive kit U-Clip for steel frames
suitable for FSA 8100 [U-Clip] (see page 35)

