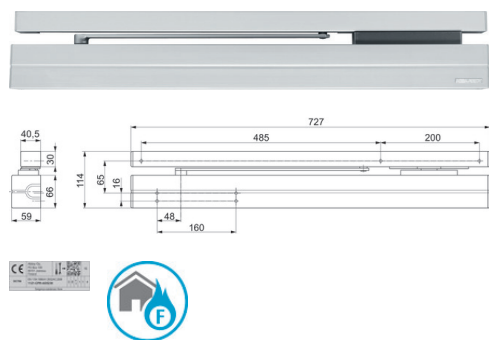


ASSA ABLOY

Security door closers

DC700G-FT



Security door closer with Cam-Motion® technology, integrated latch bolt and escape door strike

Product description

- ASSA ABLOY door closer with Cam-Motion® technology, extended mounting plate and integrated latch bolt, extended guide rail with integrated escape door strike
- Suitable for retrofit to fire doors with guide rail door closers and fastening using drilling template acc. to DIN EN 1154, Supplementary Sheet 1:2003-11
- Certified in compliance with EN 1154, size 3-6
- Escape door strike 332®, tested in compliance with the guideline for electrical locking systems for doors along escape routes
- For single leaf doors, doors between 850 - 1,200 mm wide

Characteristics DC700G-FT

- Standard colours: silver EV1, stainless steel
- Integrated latch bolt 807 on extended mounting plate
- With 4 m connecting cable
- Flush or surface installation of wiring possible
- Suitable for fire and smoke protection doors
- Suitable for left and right handed doors
- Standard installation on hinge side
- Variable adjustable closing force
- Closing speed, latching speed and backcheck continuously adjustable
- Thermodynamic valves for consistent performance
- Door closer axis height continuously adjustable by 14 mm

Accessories/Individual parts

- Spacer plate FA01 For DC700G-FT, 5 mm, silver EV1 DCFA01-----EV1-
- Spacer plate FA02 For DC700G-FT, 15 mm, silver EV1 DCFA02-----EV1-
- Replacement plate FA04 For DC700G-FT, 15 mm, silver EV1 DCFA04-----EV1-
- Mounting and replacement plate FA05 For DC700G-FT, 5 mm, narrow frame, silver EV1 DCFA05-----EV1-
- Mounting and replacement plate FA06 For DC700G-FT, 15 mm, narrow frame, silver EV1 DCFA06-----EV1-
- Opening damper A188 For guide rails G-E/G-S/G-CO(-X)/G-FM(X) DCA188-----

Technical data

Rated operating voltage tolerance range	+/- 10 %
Rated voltage	12 V DC / 24 V DC
Rated current	190 mA / 12 V; 95 mA / 24 V
Length	727 mm
Closing force	EN 3-6
Depth	66 mm
Height	66 mm
Length	727 mm
Depth	30 mm
Door width up to	850-1200 mm
Height	43.5 mm
Suitable for fire doors	Yes
Handing	Left / right handed
Mounting method	Yes
Closing speed	Variable between 170°-10°
Latching speed	Variable between 15°-0°
Backcheck	Variable above 75°
Max. door opening angle hinge side	ca. 160°
Certified in compliance with	EN 1154
CE marking for building products	Yes
Operating temperature range	-15 °C to +40 °C
Anchor contact	No
Recovery diode	Yes
Color	Stainless steel design

Article number DC700F001F135--

EAN-Number 4042203464216

