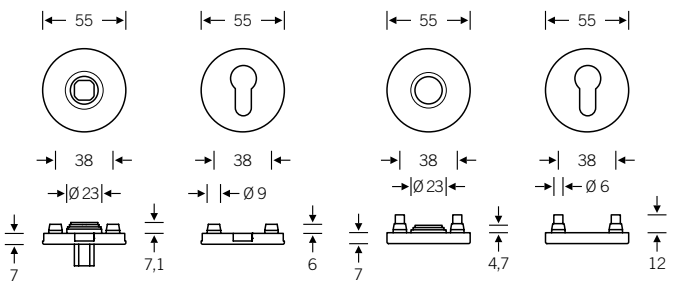


Flush-rose hardware for doors at least 45 mm thick



- 72 8..
 - 76 8..
 - 79 8..
- 72 8..
 76 8..
 79 8..
- + Number of lever-handle model
 + Type of set:
 813 (R) | 814 (L) Lever/lever set
 815 (R) | 816 (L) Lever/knob set with knob
 08 0802
 817 (R) | 818 (L) Lever/knob set with knob
 08 0829
 819 (R) | 820 (L) Bathroom set**
 C:c distances:
 72 mm PC, WL***
 70/78/85/88 mm PZ, 90 mm WL
 70/78/90 mm WC
 74/78/94 mm CH-RC



Technical prerequisites:	Specification:	Order details required:
<p>The door must be at least 45 mm thick. With rebated doors, the position of the lock mortise also needs to be borne in mind. The recess for the rose needs to be 55.6 mm in diameter, centred on the lock follower, and routed out to a depth of 7 mm. It is essential that the remaining material between the bottom of the area routed out and the face of the lock be sufficiently stable to allow fixing to be performed without force being exerted on the lock. For the purpose of accommodating the lugs, boreholes 9 mm in diameter and at 38 mm centres need to be drilled to a depth of at least 7 mm – please use the FSB 03 0460 universal template for this.</p>	<p>Lever/lever rose sets turnably fixed in Teflon-coated metal bearings for tolerance compensation (AGL® 72) or in bearings for fire-safety and smoke doors (AGL® FS 76 + 79), prepared for fitting flush to the door, dismantlable, only in combination with roses 17 1731/17 1735. Routing work performed on existing fire and smoke doors in preparation for fitting flush door hardware renders the door's fire-safety status void. Please consult the door maker on whether fire-safety approval obtains when fitting flush hardware to the door concerned or whether there may be scope for exceptional acceptance.</p>	<ul style="list-style-type: none"> – AGL® or AGL® FS set – Door thickness – Lever handle model* – Keyway – Material/finish – Quantity – In the case of lever/knob sets, the knob model desired (the thumbturn bolt supplied with bathroom/indicating sets depends on the lever-handle model selected)

Please advise other keyways or c:c distances individually.

* The following models are not supplied as flush variants:
 FSB 1016, 1043, 1070, 1074, 1093, 1094, 1155, 1160, 1187, 1222, 1223, 1262 and 1263



Routing jig FSB 03 0462 000..., see page 780f.

** Bathroom set not in AGL® FS
 *** not for 76 and 79 mm



Round flush roses for doors 38–44 mm thick

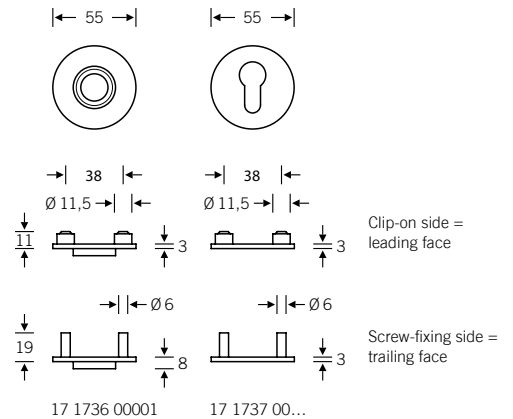


17 1736 
17 1737 

⌚ 17 1736 00001
17 1737 00...

+ Keyway type:
002 (WL)
010 (PC)
154 (T/WC 8 mm)
188 (T/WC 7 mm)
C:c distances:
72 mm PC, WL
70/78/85/88 mm PC, 90 mm WL
70/78/90 mm WC
74/78/94 mm CH-RC

Please advise FSB lever-handle model desired when ordering



Technical prerequisites:

The door must be 38–44 mm thick; please bear the position of the lock mortice in mind. To prepare the fixing holes, apply FSB standard drilling template 03 0455 or universal template 03 0460 to either side of the door. Then drill out the boreholes for the handle and key roses on the clip-on side (= pull-to-open side) to a depth and diameter of 12 mm. Use should be made of FSB routing jig 03 0462 000 when preparing the face of the door for the roses to be fitted. Please note that, unlike with flush hardware for door thicknesses of 45 mm upwards, routing may only be performed to a depth of 3 mm! The recess routed out for the circular variant (17 1736/17 1737) needs to be 55.6 mm

in diameter and 3 mm deep. The remaining material between the bottom of the recess and the lock case is required to be stable and firm enough to ensure secure fastening without any pressure being exerted upon the lock.

Specification:

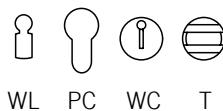
Loose, round lever-handle and key rose pairs for flush fitting, only in combination with specially prepared FSB lever/lever pairs, lever/lever pair and rose pairs dismantlable. Not available as a fire-safety variant.

Order details required:

- Lever handle model*
- Keyway
- Material/finish
- Quantity
- For rebated doors in combination with asymmetrical lever handles, the DIN door handing

* The following models are not supplied as flush variants:
FSB 1051, 1058, 1163, 1222, 1226, 1241, 1250, 1251, 1254, 1257, 1259, 1262 and 1263

Keyways and bathroom/WC variants (please advise other keyways or c:c distances individually)



Routing jig FSB 03 0462 000..., see page 780f.



Angular flush roses for doors 38–44 mm thick



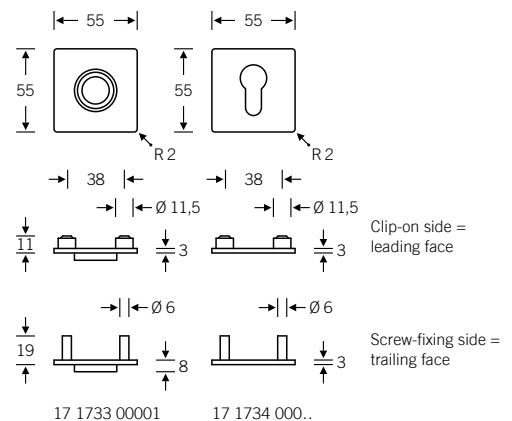
17 1733 
17 1734 

17 1733 00001
17 1734 00...

+ Keyway type:
002 (WL)
010 (PC)
154 (T/WC 8 mm)

C:c distances:
72 mm WL, PC, 8/78 mm WC

Please advise FSB lever-handle model
desired when ordering



Technical prerequisites:

The door must be 38–44 mm thick; please bear the position of the lock mortise in mind. Place FSB standard drilling template 03 0455 or universal template 03 0460 against both sides of the door. Then drill out the boreholes for the handle and key roses on the clip-on side (= leading face) to a depth and diameter of 12 mm. Use should be made of FSB routing jig 03 0462 00030 when preparing the face of the door for the roses to be fitted. Please note that, unlike with flush hardware for door thicknesses of 45 mm upwards, routing may only be performed to a depth of 3 mm! The recess routed out for the square variant (17 1733/17 1734) measures 55.6 by 55.6 mm by turn and has a corner

radius of 2 mm. Please use a 4 mm-Ø routing bit to achieve the latter.

Specification:

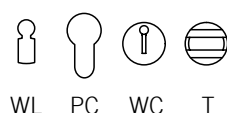
Loose, square lever-handle and key rose pairs for flush fitting, only in combination with specially prepared FSB lever/lever pairs, lever/lever pair and rose pairs dismantlable. Not available as a fire-safety variant.

Order details required:

- Lever handle model*
- Keyway
- Material/finish
- Quantity
- DIN door handing (for rebated doors in combination with asymmetrical lever handles)

* The following models are not supplied as flush variants:
FSB 1058, 1163, 1251, 1254, 1262 and 1263

Keyways and bathroom/WC variants (please advise other keyways or c:c distances individually)

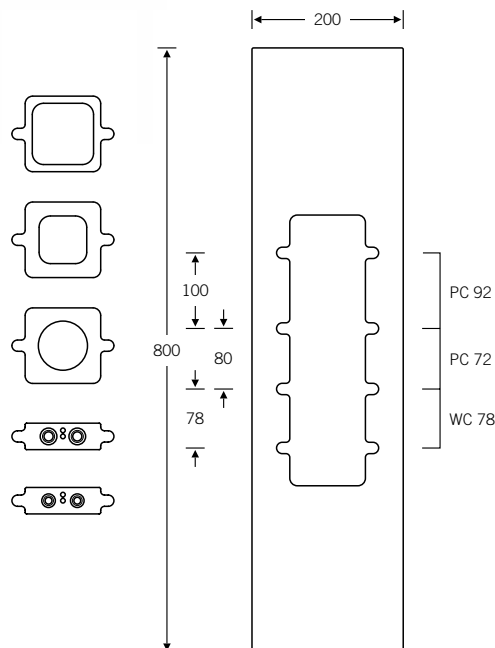


Routing jig FSB 03 0462 00030,



Routing jig for round and angular flush roses

03 0462



German c:c distances

How to use for 17 1733/17 1734: push the centring device into the boreholes on the timber routing jig and place the assembly against the door. Slot the guide pins on the centring device into the follower and the cylinder or other key hole and align the routing jig parallel to the door leaf. Using C-clamps to secure the routing jig to the door at the position thus arrived at, then drill fixing holes through the bushes on the centring device for the roses and hardware respectively. Now remove the centring devices and, using the small insert, rout out the recesses to a depth of 3 mm and a diameter of 55.6 mm with the aid of a 20 mm-Ø bit and a 30 mm-Ø collar ring. Then, changing to the large insert, rout out the corner areas, likewise to a depth of 3 mm and with a 30 mm-Ø collar ring but using a 4 mm-Ø bit. Repeat procedure on reverse.

How to use for heavy-duty hardware and 17 1736/17 1737: rout out with circular insert to a depth of 3 or 7 mm with a 20 mm-Ø bit and a 30 mm-Ø collar ring

03 0462 00030
(PC 72 + 92 mm, WC/T/8/78 mm)

for round flush roses
FSB 17 1736/17 1737, door thicknesses
38–44 mm, depth 3 mm, Ø 55.6 mm

for angular flush roses
FSB 17 1733 / 17 1734, door thicknesses
38–44 mm, depth 3 mm, 55.6 × 55.6 mm

for flush heavy-duty hardware (round
roses) FSB 72 and 76/79, door thickness-
es of 45 mm upwards, depth 7 mm,
Ø 55.6 mm