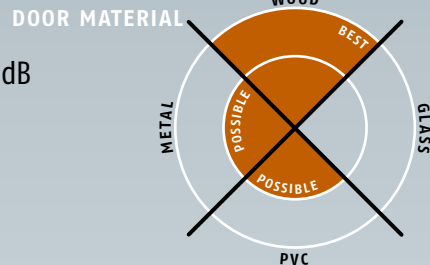


Planet SN (sliding door) → 22 x 30 mm | ↓ 7-16 mm | ≤ 44 dB



Main features

- Planet SN for sliding doors
- No lock needed because of **zero-force release**
- Seal height ↓ **7-16 mm**
- Floor guide SN kit – versions short (standard) and long (as option) – **for door gap 7-10 / 10-13 / 13-16 mm**
- Release force only **1 N/m**
- Release through floor guide with parallel drop-down
- Compact space-saving solution with integrated floor guiding groove
- Automatic compensation at inclined floors
- Acoustic insulation up to **≤ 44 dB** in case of an optimal sealing (at an air-gap of 7 mm)
- High-grade silicone
- Can be shortened up to the next shorter length on stock
- Seal easily removed by detaching end brackets
- 7 years warranty

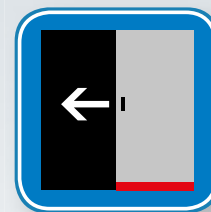
Versions / options

- Planet SN → RD ≤ 44 dB, smoke-shielding
- Closing DIN L or DIN R
- Special versions on request

Door types with Planet SN

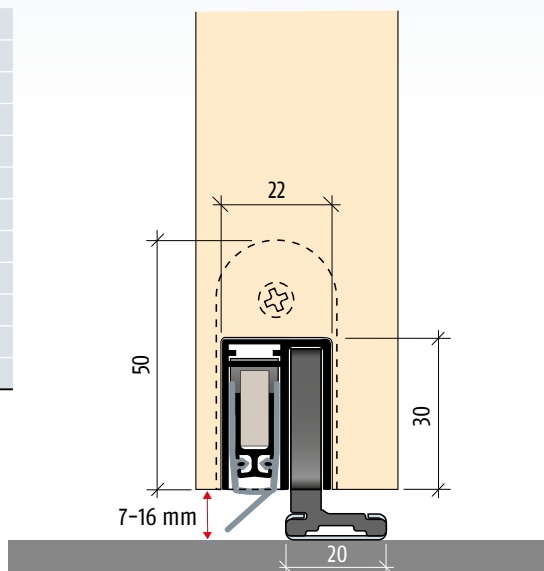


More functions



Technical specifications

Profile material	aluminum, → 22 x 30 mm
Groove size	width 22,1 mm with depth 30,5 up to 35 mm
Seal profile	high-grade silicon
Seal height	↓ 7-16 mm
Floor guides	incl. 3 pcs. for door gap 7-10 / 10-13 / 13-16 mm
Sound absorption value	up to ≤ 44 dB at 7 mm space to the floor
Lengths in stock	800, 925, 1050, 1175, 1300, 1425, 1550, 1675 mm
Special lengths	on request up to 6000 mm
Release	integrated in the floor guide → invisible
Can be shortened	125 mm
Fastening	laterally with stainless steel angle brackets
Test approvals	on request



Planet SN

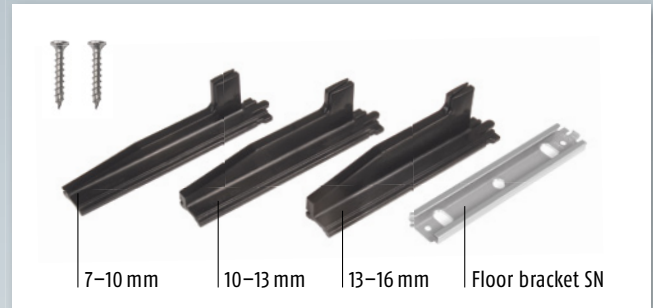
Versions | Options | Accessories



Planet SN profile with floor guide



Planet assembly set SN



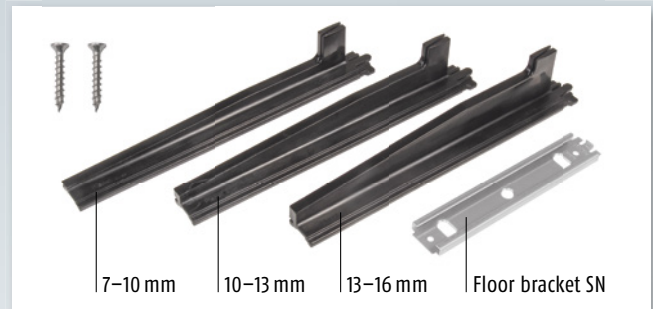
Floor guide SN kit short (standard) including 3 ramped guides SN for door gap 7–16 mm and floor bracket SN for screwing



Planet SN installed



Planet SN installed with floor guide SN



Floor guide SN kit long (option) including 3 ramped guides SN long for door gap 7–16 mm and floor bracket SN for screwing

Order specifications

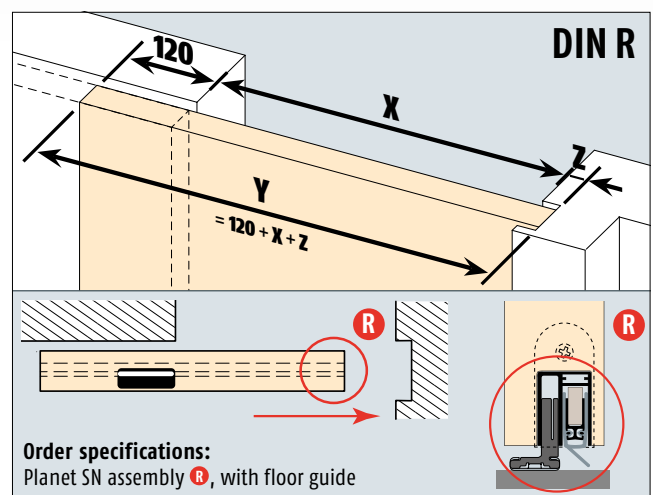
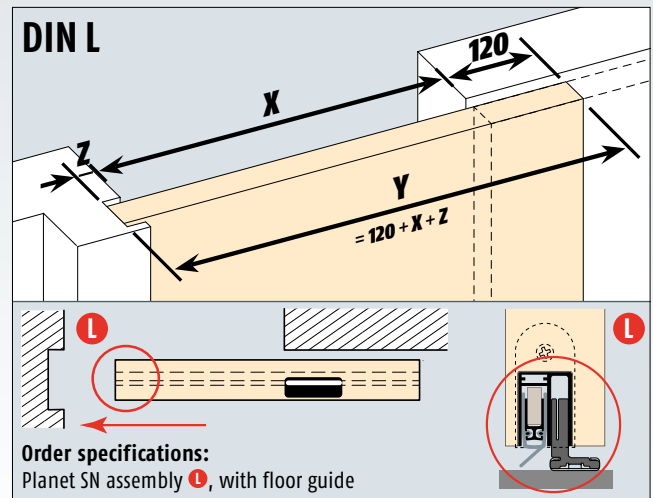
Planet SN → RD ≤ 44 dB
incl. Planet assembly Set SN and floor guide SN kit, short for door gap 7–16 mm
Prod. code 105xxx L | R*

Closing DIN L or DIN R → refer to illustration on the right

* xxx = refer to price list for profile length

Accessories | Options

Planet floor guide SN kit, short, DIN R for door gap 7–10 / 10–13 / 13–16 mm (standard)	Prod. code 902035
Planet floor guide SN kit, short, DIN L for door gap 7–10 / 10–13 / 13–16 mm (standard)	Prod. code 902036
Planet floor guide SN kit, long, DIN R for door gap 7–10 / 10–13 / 13–16 mm (option)	Prod. code 902037
Planet floor guide SN kit, long, DIN L for door gap 7–10 / 10–13 / 13–16 mm (option)	Prod. code 902038
Planet assembly Set SN for wood, DIN R	Prod. code 902033
Planet assembly Set SN for wood, DIN L	Prod. code 902034



Advertising text

Planet SN → RD (smoke-shielding) ≤ 44 dB

Automatic door drop-down seal **Planet SN → RD** ≤ 44 dB, for sound absorption and smoke-shielding sliding doors, release through floor guide with parallel drop-down, seal height ↓ 7–10 / 10–13 / 13–16 mm, flush to put in groove. Silicone lip, lateral fastening incl. floor guide. Aluminum profile → 22 x 30 mm.

