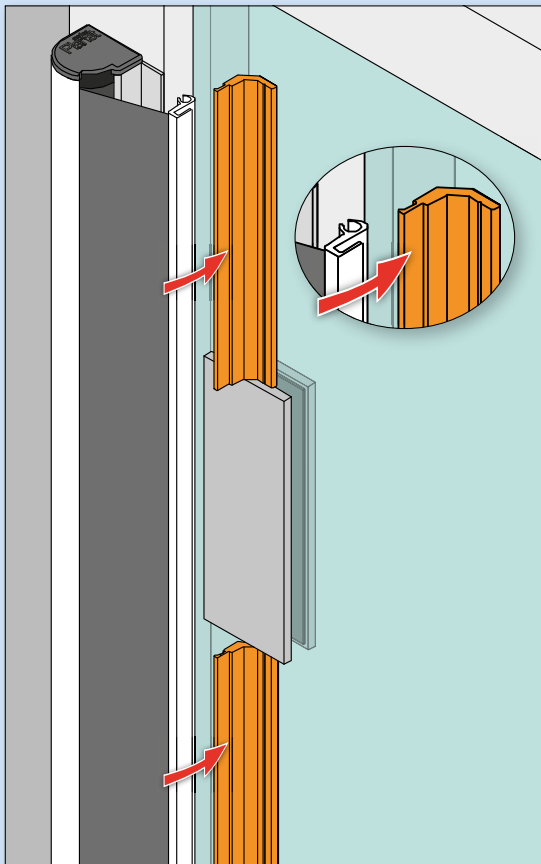
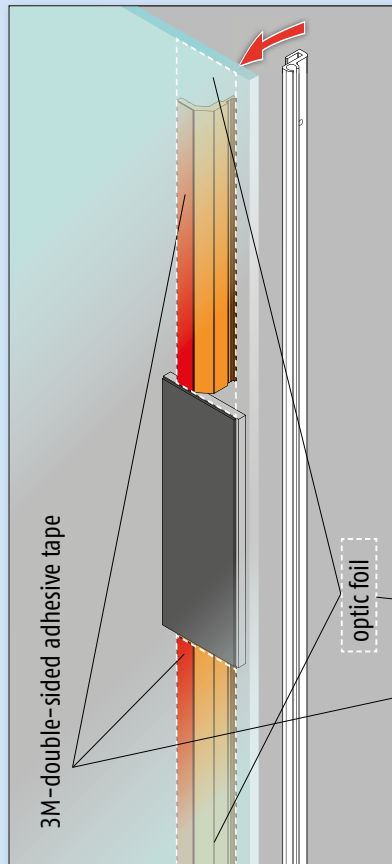


# Mounting profile LG1 for glass doors

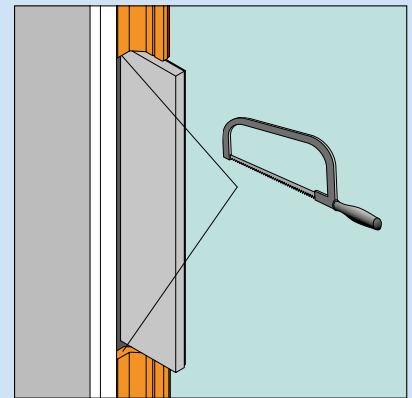
Option for **FSR 6000 [Quick]** and **FSR 7000 [Outdoor]**



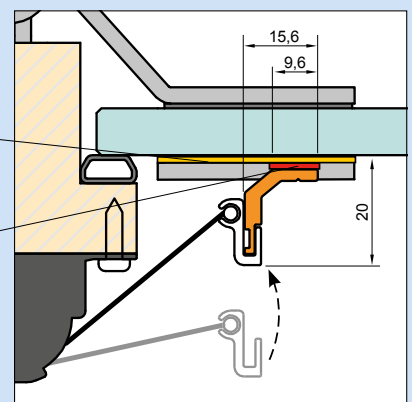
For the mounting and removal system



Backside



LG1 to be cut out for hinge



LG1 glued with 3M-adhesive tape

## Key features



- Mounting profile for glass doors
- Adhesive mounting
- Standard solution, making prior measurement unnecessary

## Materials



## Door types



## Certified quality



## Profile colour

EV1 ANODISED	RAL-9016 WHITE	STAINLESS STEEL ANOD.
--------------	----------------	-----------------------

Colour options



## Technical data

<b>Length</b>	2015 mm (stock length)
<b>Made to measure</b>	per metre
<b>Maximum supply length</b>	2500 mm
<b>Shorten</b>	yes
<b>Installation set</b>	optic foil, 3M-double-sided adhesive tape (pre-mounted), wet-wipe