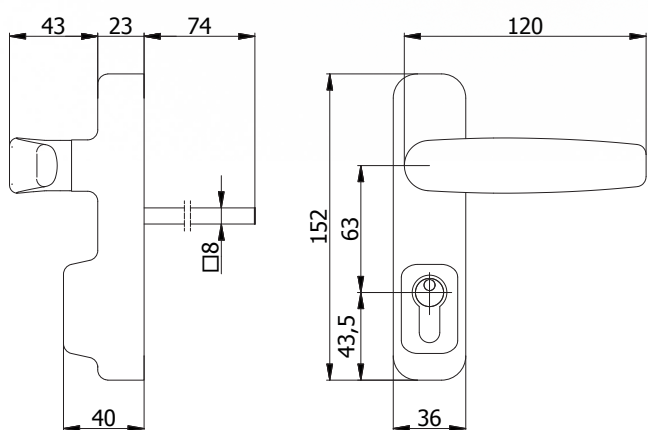







EXTERNAL ACCESS HANDLE

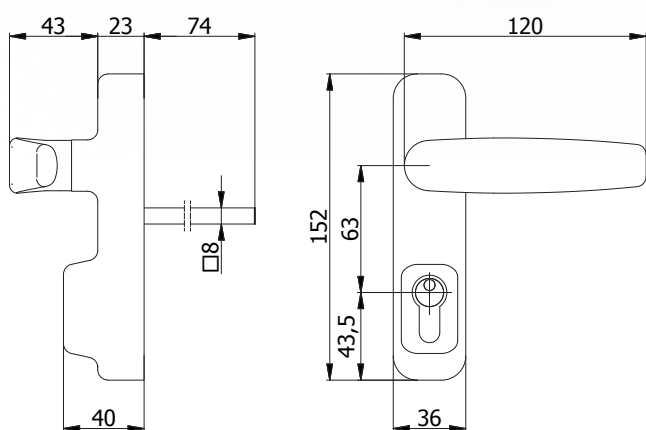


CONSTRUCTIVE FEATURES: Painted special alloy case and handle - Zinc and plastic plated steel cover - Nickel-plated brass cylinder.
 WORKING: Door opened by the handle - Handle interlock is controlled by the key (free handle).
 PROVIDED WITH: 3 keys, fixing screws, assembling instructions, template for drilling.

COD.			Finishing		
6012/G	121/04 H	105/05	Grey RAL 7040 	0,99	10








EXTERNAL ACCESS HANDLE



CONSTRUCTIVE FEATURES: Painted special alloy case and handle - Zinc and plastic plated steel cover - Nickel-plated brass cylinder.

WORKING: Door opened by the handle - Handle interlock is controlled by the key (free handle).

PROVIDED WITH: 3 keys, fixing screws, assembling instructions, template for drilling.

COD.			Finishing		
6012/X	121/04 H	105/05	Satinized stainless steel 	0,99	10