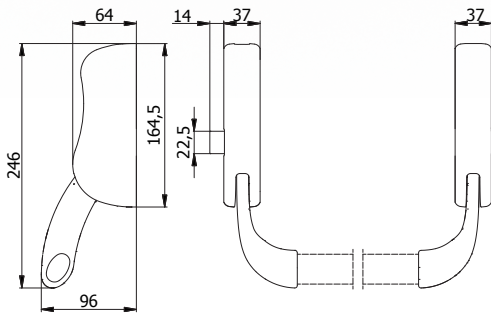
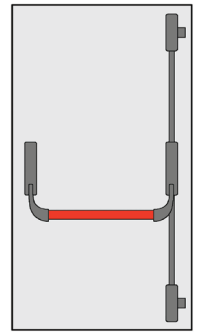
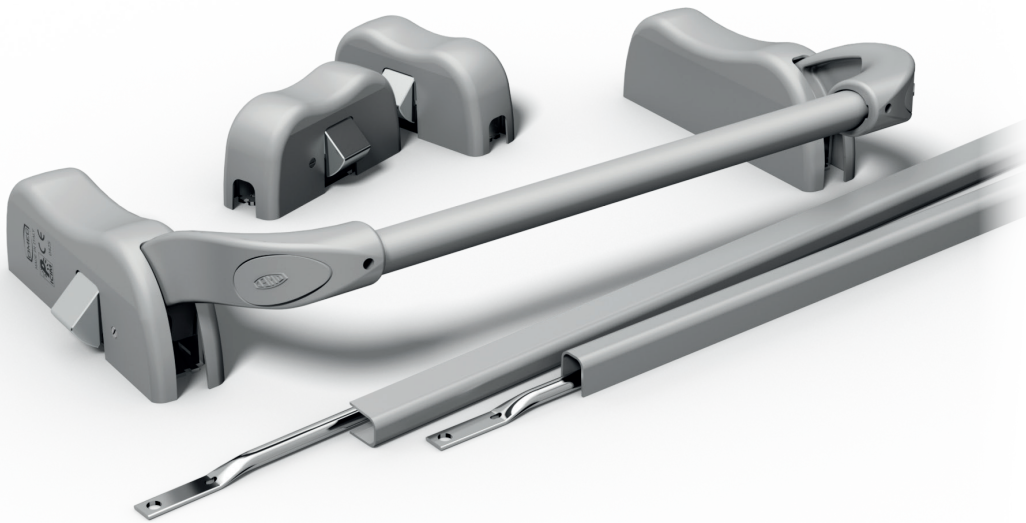


**MODULAR PANIC EXIT DEVICES  
WITH TOP AND BOTTOM VERTICAL LATCH KIT**

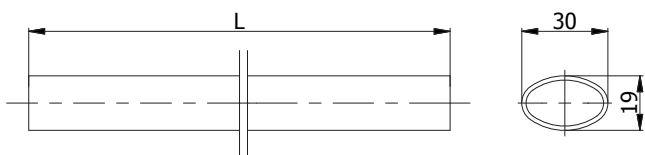


CONSTRUCTIVE FEATURES: Zinc-plated steel cases - Painted aluminium covers - Painted special alloy levers - Chromed special alloy latch bolt - Stainless steel springs.

WORKING: Horizontal bar or outside accessories driven latch bolt.

PROVIDED WITH: Side striker, nylon plugs, fixing screws, assembling instructions, templates for drilling.

COD.	Hand	Finishing	kg		
6213/G	Reversible	Grey RAL 7040	2,18	1	10

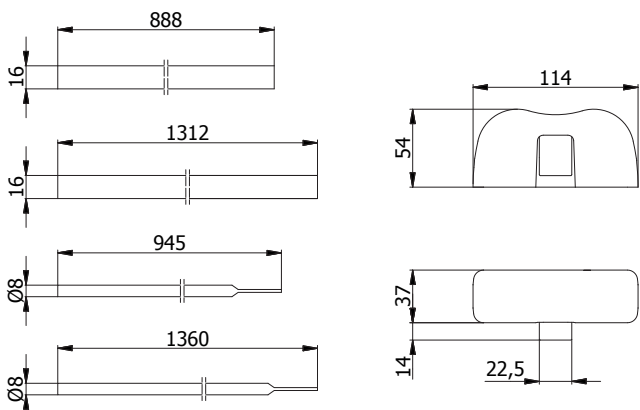


MATERIAL: Painted steel.

PROVIDED WITH: Nylon plugs.

COD.	L	Finishing	kg		
6005 AG	1130	Grey RAL 7040	1,06	10	-
6006 AG	1480		1,32	10	-

Certified according to European standard EN 1125:2008 - 377A1422AA



CONSTRUCTIVE FEATURES: Zinc-plated steel cases - Painted aluminium covers - Chromed special alloy latch bolts - Stainless steel springs - Zinc-plated steel rods - Painted aluminium cover rod.

APPLICATION: Three locking points panic exit devices.

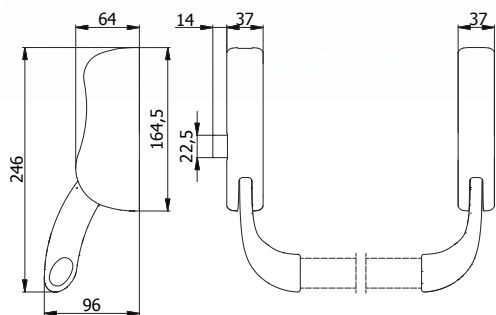
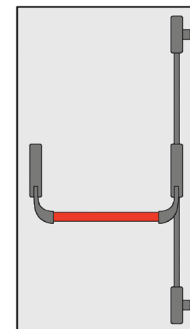
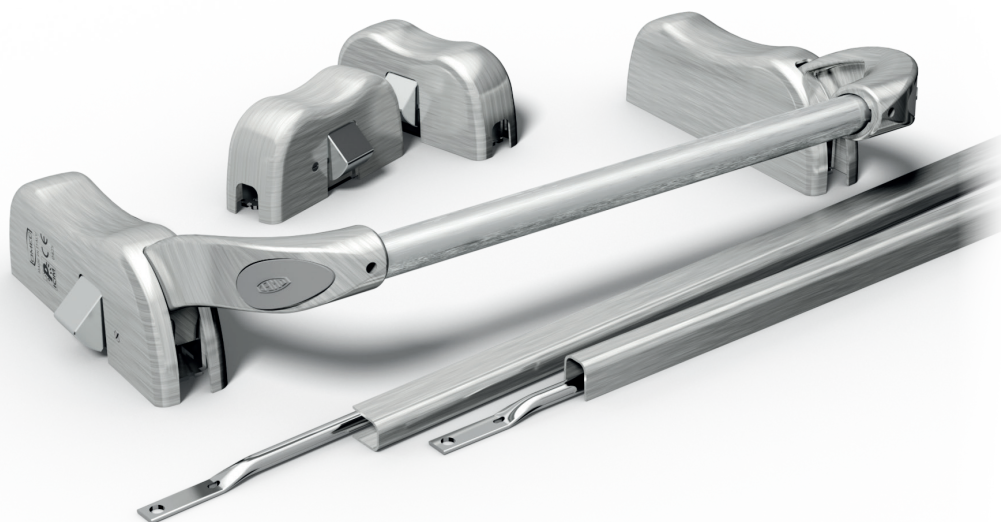
PROVIDED WITH: 2 side strikers, fixing screws and fixing accessories.

COD.	Finishing	kg		
6041/G	Grey RAL 7040	2,22	1	-

For doors high up to 3000 mm extension kit cod. 6032 is available



**MODULAR PANIC EXIT DEVICES  
WITH TOP AND BOTTOM VERTICAL LATCH KIT**



**CONSTRUCTIVE FEATURES:** Zinc-plated steel cases - Painted aluminium covers - Painted special alloy levers - Chromed special alloy latch bolt - Stainless steel springs.

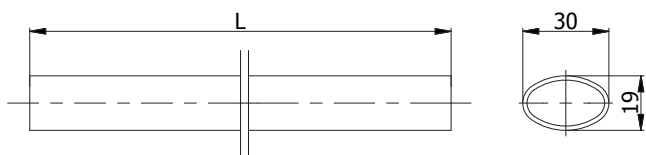
**WORKING:** Horizontal bar or outside accessories driven latch bolt.

**PROVIDED WITH:** Side striker, nylon plugs, fixing screws, assembling instructions, templates for drilling.

COD.	Hand	Finishing	kg		
6213/X	Reversible	Satinized stainless steel	2,18	1	10

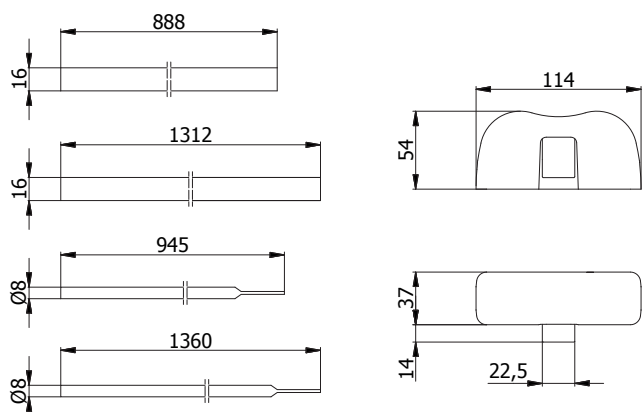
**MATERIAL:** Stainless steel.

**PROVIDED WITH:** Nylon plugs.



COD.	L	Finishing	kg		
6005 X	1130	Satinized stainless steel	1,20	10	-
6006 X	1330	Satinized stainless steel	1,50	10	-

**Certified according to European standard EN 1125:2008 - 377A1422AA**



**CONSTRUCTIVE FEATURES:** Zinc-plated steel cases - Painted aluminium covers - Chromed special alloy latch bolts - Stainless steel springs - Zinc-plated steel rods - Painted aluminium cover rod.

**APPLICATION:** Three locking points panic exit devices.

**PROVIDED WITH:** 2 side strikers, fixing screws and fixing accessories.

COD.	Finishing	kg		
6041/X	Satinized stainless steel	2,22	1	-

For doors high up to 3000 mm extension kit cod. 6032 is available

